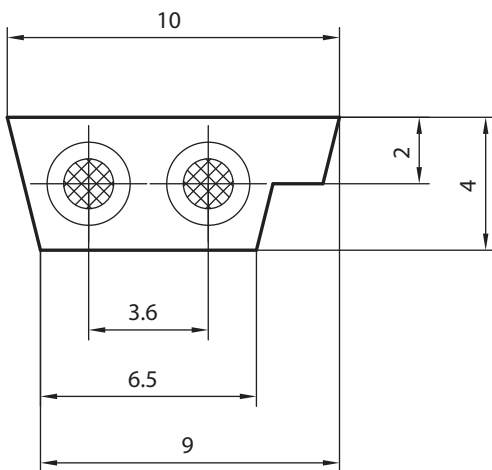


Article number: S-1106644

Technical data

- Temperature range: -18 to 104 °F
- Strand insulation: Brown for voltage, blue for ground
- Length: 164 ft
- Cross section of braids: 2.5 mm²
- Maximum voltage: 60 V DC
- Protection rate: IP54 in contacted state
- UL CL2
- Halogen-free

Dimensions



Note: Measurements in mm.

MultiControl communication cable



The prefabricated Ethernet cable is used for communication with MultiControl. The cable allows connecting one MultiControl with another MultiControl, another bus node, a switch or a PLC.

Article number: S-1104438

Technical data

- Temperature range: -22 to 104 °F
- Color: Green
- Length: 118"
- Outside diameter: 0.26"
- Plug connection: M12, straight on M12, straight
- Protection rate: IP67 in contacted state
- Line: Cat5, shielded
- UL1581

MultiControl Y-cable



The Y-cable with M8 plugs enables the use of an additional input or output at the MultiControl.

Article number: S-1104460

Technical data

- Temperature range: -22 to 104 °F
- Color: Black
- Length: 11.81" (+ plug)
- Outside diameter: 0.2"
- Plug connection with single connector: M8, straight, screwed, 4-pin, for connecting to a MultiControl
- Plug connection with dual connector: A) M8, straight, screwed, 4-pin, for connecting to a zone sensor
B) M8, straight, screwed, 4-pin, for connecting to an input or output
- Protection rate: IP67 in contacted state

Cable distribution

The cable distribution allows splitting a flat cable. MultiControl in its initial design (article number S-1101834) allowed connecting a second flat cable as an option for the voltage supply of connected RollerDrive. MultiControl in its new design (article number S-1103563) requires two voltage supplies in principle. If the new design of MultiControl is to be used as spare part in a system that features only flat cables for voltage supply, the cable distribution can be used.